

Corroflon Non Lined Swivel Flange Fittings

Flange Specification

- ANSI B16.5 (also ASME B16.5) Class 150# and 300#
- *DIN PN10/16/40 up to 2" size, PN10/16 from 2 1/2" up to 6" size
- JIS 10K
- Other Pressure Ratings and Flange Specifications are also available

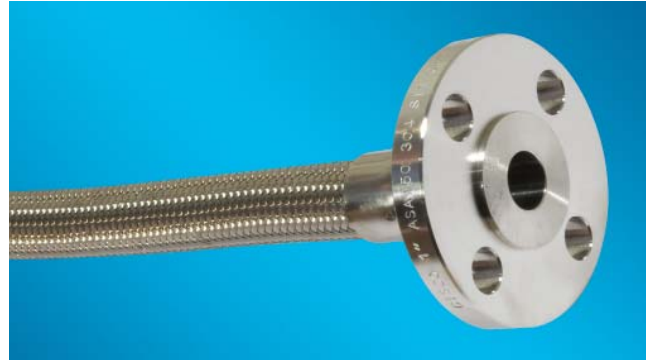
*The dimensions for flanges to the different pressure ratings are identical, so they are inter-changeable.

Maximum Pressure Ratings for Flange Fittings

- ANSI 150# = 16 Bar (230 psi), ANSI 300# = 32 Bar (460 psi)
- DIN PN10 = 10 Bar (145 psi), DIN PN16 = 16 Bar (230 psi), DIN PN40 = 40 Bar (580psi)

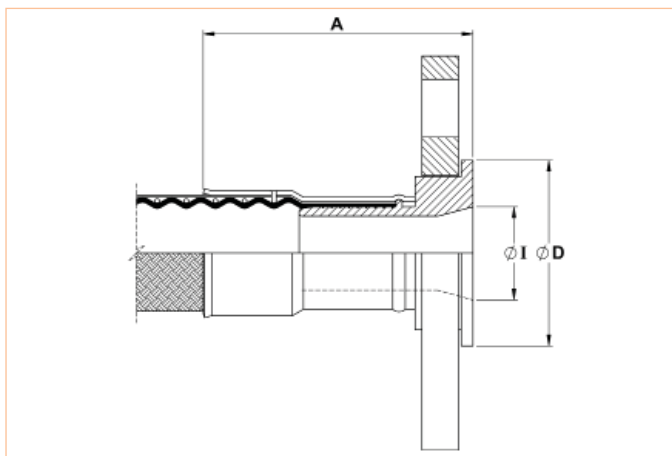
End Fitting Materials

- Flanges in Grade 304 SS
- Flange Retainers in Grade 316L SS
- Ferrules, most in Grade 304 SS, some sizes in Grade 316 SS

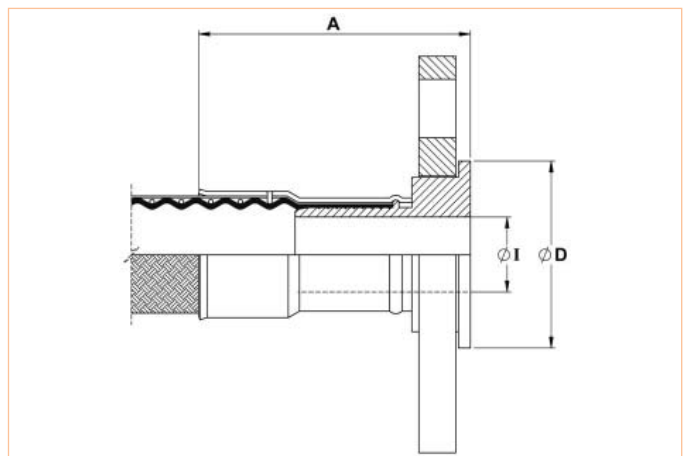


Alternative Options for Flange Component only:

- Zinc Plated Carbon Steel
- Grade 316 Stainless Steel



The above drawing relates to sizes 1", 1 1/2", 2"



The above drawing relates to all other sizes

Nominal Hose Size		*Fitting Length PN A		Flared Diameter D PN10/16		Fitting Inside Diameter I		Weight of Fitting	
in	mm	in	mm	in	mm	in	mm	Kg	Lbs
1/2	13	2.20	56	1.77	45	0.39	10	0.76	1.69
3/4	20	3.11	79	2.28	58	0.63	16	1.06	2.35
1	25	3.46	88	2.68	68	1.12	28.5	1.36	3.00
1 1/4	32	3.98	101	3.07	78	1.02	26	1.72	3.79
1 1/2	40	4.69	119	3.46	88	1.69	43.10	2.49	5.50
2	50	4.69	119	4.02	102	2.15	54.5	3.57	7.87
2 1/2	65	4.88	124	4.80	122	2.24	57	4.20	9.26
3	80	5.16	131	5.43	138	2.64	67	5.68	12.52
4	100	5.51	140	6.22	158	3.50	89	8.42	18.56
6	150	3.62	92	8.35	212	5.51	140	12.30	27.12

*Fitting Lengths listed are for Corroflon braided only hose grades (SS, PB, HB, KYB). Approximately 33% longer lengths apply to the rubber covered hose grades (RC, SI, FP).

Nominal Hose Size		*Fitting Length ASA A		Flared Diameter D ASA150		Fitting Inside Diameter I		Weight of Fitting	
in	mm	in	mm	in	mm	in	mm	Kg	Lbs
1/2	13	2.13	54	1.37	34.9	0.39	10	0.76	1.69
3/4	20	2.99	76	1.69	42.9	0.63	16	1.06	2.35
1	25	2.95	75	2.00	50.8	0.79	20.24	1.36	3.00
1 1/4	32	3.78	96	2.50	63.5	1.02	26	1.72	3.79
1 1/2	40	4.25	108	2.87	73.0	1.25	31.75	2.49	5.50
2	50	4.41	112	3.63	92.1	1.75	44.45	3.57	7.87
2 1/2	65	4.65	118	4.12	104.5	2.24	57	4.20	9.26
3	80	4.88	124	5.00	127.0	2.64	67	5.68	12.52
4	100	5.51	140	6.19	157.2	3.50	89	8.42	18.56
6	150	3.62	92	8.50	215.9	5.51	140	12.30	27.12