

# Bioflex Ultra Non-Lined Swivel Flange Fittings

BIOFLEX ULTRA

## Flange Specifications

- ANSI B16.5 (also ASME B16.5) Class 150# and 300#
- \*DIN PN10, PN16 and PN40
- JIS 10K
- Other Pressure Ratings and Flange Specifications are also available.  
\*DIN PN10, PN16 and PN40 Flanges all have the same dimensions, and so are fully interchangeable

## End Fitting Materials

- Flanges normally in Grade 304 SS, or Grade 316 SS if required
- Flange Retainers in Grade 316L SS
- Ferrules, most in Grade 304 SS, some sizes in Grade 316 SS

## Alternative Options for Flange Component only:

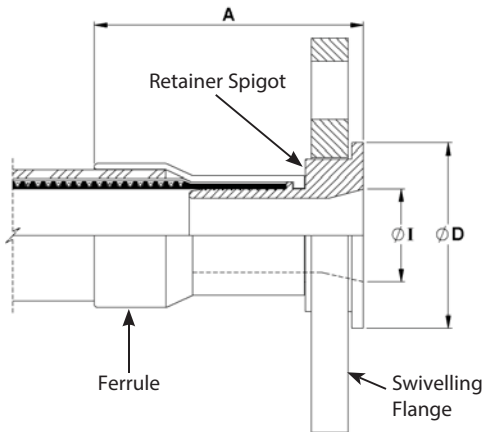
- Zinc Plated Carbon Steel

## Surface Finish :

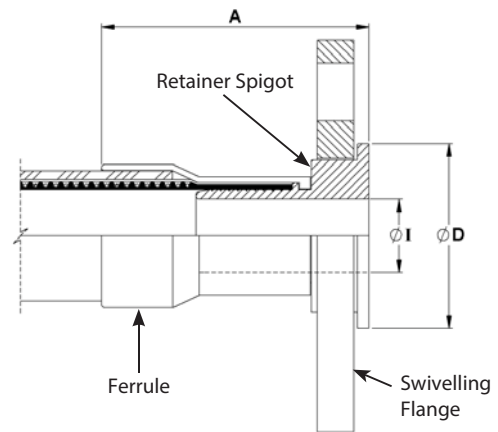
- All surface finishes are to ASME BPE-SF-O (No finish required).
- If a specified finish on a particular surface is required, please state on the enquiry and order.

## Maximum Pressure Ratings

- ANSI 150# = 16 Bar (230 psi),  
ANSI 300# = 41.4 Bar (600 psi)
- DIN PN10 = 10 Bar (145 psi),  
DIN PN16 = 16 Bar (230 psi)
- DIN PN40 = 40 Bar (580 psi)



The above drawing relates to sizes 1", 1 1/2", 2"



The above drawing relates to all other sizes

Nominal Hose Size		*Fitting Length A ASA150		Flared Diameter D ASA150		Fitting Inside Diameter I ASA150		Weight of Fitting	
in	mm	in	mm	in	mm	in	mm	Kg	Lbs
1/2	13	2.80	71	1.38	35.00	0.38	9.53	0.77	1.69
3/4	20	3.15	80	1.69	42.90	0.63	15.88	1.061	2.35
1	25	3.27	83	2.00	50.80	0.79	20.24	1.361	3.00
1 1/4	32	3.97	101	2.50	63.5	1.03	26.2	2.53	5.58
1 1/2	40	4.09	104	2.87	73.00	1.25	31.75	2.49	5.50
2	50	4.17	106	3.62	92.00	1.75	44.45	3.57	7.87

Nominal Hose Size		*Fitting Length A PN10/16		Flared Diameter D PN10/16		Fitting Inside Diameter I PN10/16		Weight of Fitting	
in	mm	in	mm	in	mm	in	mm	Kg	Lbs
1/2	13	2.87	73	1.77	45.00	0.38	9.53	0.77	1.69
3/4	20	3.27	83	2.28	58.00	0.63	15.88	1.061	2.35
1	25	3.58	91	2.68	68.00	1.12	28.50	1.361	3.00
1 1/4	32	4.17	106	3.07	78.00	1.03	26.2	2.29	5.05
1 1/2	40	4.53	115	3.49	88.00	1.70	43.10	2.49	5.50
2	50	4.49	114	4.02	102.00	2.15	54.50	3.57	7.87

\*Fitting Lengths listed are for Bioflex Ultra RC, SI and BK hose grades. Shorter lengths apply for other hose grades.