

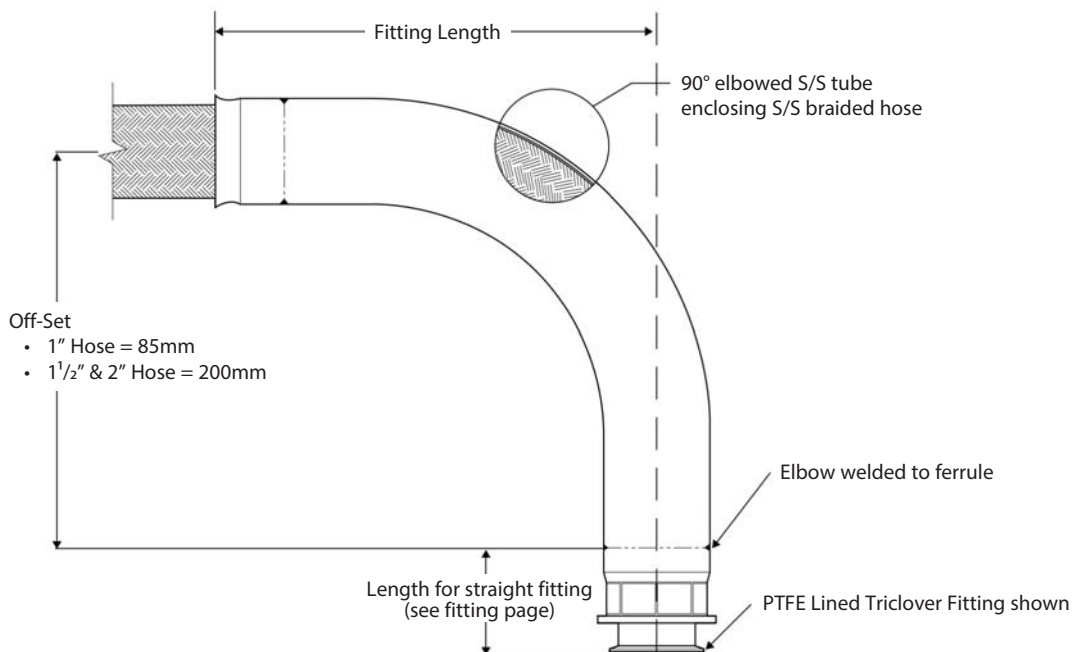
# Bioflex Ultra 90° Elbow Fittings

## PTFE Lined & Non-Lined

### PTFE Lined 90° Elbow Fittings

All of the PTFE lined end fittings described on previous pages can be fitted as 90° elbow PTFE lined fittings to the design shown, to the sizes listed.

- All grades of hose can be used, except PB.



Hose Bore Sizes	Off-Set	Fitting Length	Weight of Fitting	
			Kg	Lbs
7/8" or 1"	85	143	0.485	1.07
1 3/8" or 1 1/2"	200	237	1.372	3.03
1 7/8" or 2"	200	314	1.678	3.70

### Non-Lined 90° Elbow Fittings

A 90° elbow attached to the hose can be supplied non-PTFE lined, as shown, for any size or grade of hose or type of fittings, to special order.

